

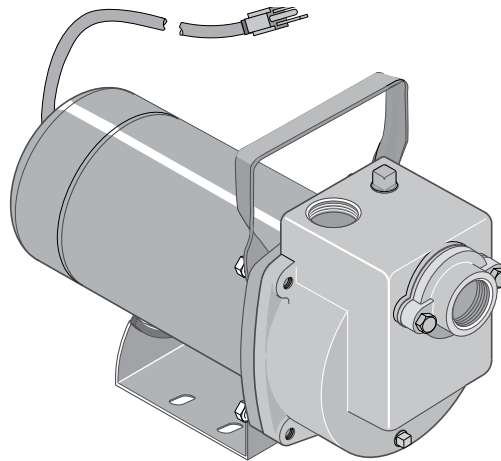


MYERS®

OWNER'S MANUAL
Portable Utility Water Pump

NOTICE D'UTILISATION
**Pompe à eau
portable tout usage**

MANUAL DEL PROPIETARIO
**Bomba de agua
portátil para todo uso**



MDPC

Installation/Operation/Parts

For further operating, installation,
or maintenance assistance:

Call 1-888-987-8677

EnglishPages 2-8

Installation/Fonctionnement/Pièces

Pour plus de renseignements
concernant l'utilisation, l'installation
ou l'entretien :

Composer le 1 (888) 987-8677

FrançaisPages 9-15

Instalación/Operación/Piezas

Para mayor información sobre
la operación, la instalación o
el mantenimiento:

Llame al 1-888-987-8677

EspañolPaginas 16-22

Important Safety Instructions

SAVE THESE INSTRUCTIONS - This manual contains important instructions that should be followed during installation, operation, and maintenance of the product. Save this manual for future reference.

⚠ This is the safety alert symbol. When you see this symbol on your pump or in this manual, look for one of the following signal words and be alert to the potential for personal injury!

⚠ DANGER indicates a hazard which, if not avoided, *will* result in death or serious injury.

⚠ WARNING indicates a hazard which, if not avoided, *could* result in death or serious injury.

⚠ CAUTION indicates a hazard which, if not avoided, *could* result in minor or moderate injury.

NOTICE addresses practices not related to personal injury.

Carefully read and follow all safety instructions in this manual and on pump.

Keep safety labels in good condition.

Replace missing or damaged safety labels.

Make workshops childproof; use padlocks and master switches; remove starter keys.

California Proposition 65 Warning

⚠ WARNING This product and related accessories contain chemicals known to the State of California to cause cancer, birth defects or other reproductive harm.

General Safety

1. To avoid risk of serious bodily injury and property damage, read the safety instructions carefully before installing this pump.
2. Follow local and/or national plumbing and electrical codes when installing the pump.
3. **⚠ WARNING Hazardous Pressure.** The pump body may explode if used as a booster pump unless a relief valve capable of passing the full pump flow at 75 PSI (517 kPa) is installed.
4. Never run the pump dry. To do so can damage internal parts, overheat pump (which can cause burns to people handling or servicing pump), and will void warranty.
5. **⚠ WARNING Risk of fire or explosion.** To avoid risk of fire and explosion, Pump Water Only with this pump. Do not use this pump in an atmosphere that might contain flammable fumes or vapors.
6. **⚠ WARNING Burn Hazard.** If water is trapped in the pump during operation it may turn to steam. Trapped steam can lead to an explosion and burns. Never run the pump with the outlet closed or obstructed.
7. **⚠ CAUTION Burn Hazard.** Do not touch an operating motor. Modern motors can operate at high temperatures. To avoid burns when servicing the pump, allow it to cool for 20 minutes after shut-down before handling.

Electrical Safety

The pump is supplied with a 3-conductor grounding type cord. Connect only to a properly grounded, GFCI protected outlet. Do not lift the pump by the electrical cord.

⚠ WARNING Hazardous voltage. Can shock, burn or cause death. Ground pump before connecting to power supply. Disconnect power before working on pump, motor or tank.

The pump is non-submersible. Keep the motor dry at all times. Do not wash the motor. Do not immerse. Protect the motor from wet weather.

If using an extension cord, use only a UL approved indoor/outdoor, 3-wire, grounding type cord. Do not allow any part of the cord or the receptacle ends to sit in water or in damp locations.

Unplug the pump before servicing. To avoid fatal shocks, proceed as follows if the pump needs servicing.

- A. Disconnect the power to the pump outlet box before pulling the pump plug. After the plug is pulled, let the pump cool for 20 minutes before attempting to work on it.
- B. Take extreme care when changing fuses. To reduce the chance of fatal electrical shock, DO NOT stand in water or put your finger in the fuse socket.
- C. Ground electrical outlet box.
- D. Plug pump into a Ground Fault Circuit Interrupter (GFCI) protected grounded outlet only.

Retain Original Receipt For Your Records

Limited Warranty

F.E. MYERS warrants to the original consumer purchaser ("Purchaser" or "You") of the products listed below, that they will be free from defects in material and workmanship for the Warranty Period shown below.

Product	Warranty Period
Jet pumps, small centrifugal pumps, submersible pumps and related accessories	<i>whichever occurs first:</i> 12 months from date of original installation, or 18 months from date of manufacture
Fibrewound Tanks	5 years from date of original installation
Steel Pressure Tanks	5 years from date of original installation
Sump/Sewage/Effluent Products	12 months from date of original installation, or 24 months from date of manufacture

Our warranty will not apply to any product that, in our sole judgement, has been subject to negligence, misapplication, improper installation, or improper maintenance. Without limiting the foregoing, operating a three phase motor with single phase power through a phase converter will void the warranty. Note also that three phase motors must be protected by three-leg, ambient compensated, extra-quick trip overload relays of the recommended size or the warranty is void.

Your only remedy, and F.E. MYERS's only duty, is that F.E. MYERS repair or replace defective products (at F.E. MYERS's choice). You must pay all labor and shipping charges associated with this warranty and must request warranty service through the installing dealer as soon as a problem is discovered. No request for service will be accepted if received after the Warranty Period has expired. This warranty is not transferable.

F.E. MYERS SHALL NOT BE LIABLE FOR ANY CONSEQUENTIAL, INCIDENTAL, OR CONTINGENT DAMAGES WHATSOEVER. THE FOREGOING LIMITED WARRANTIES ARE EXCLUSIVE AND IN LIEU OF ALL OTHER EXPRESS AND IMPLIED WARRANTIES, INCLUDING BUT NOT LIMITED TO IMPLIED WARRANTIES OF MERCHANTABILITY AND FITNESS FOR A PARTICULAR PURPOSE. THE FOREGOING LIMITED WARRANTIES SHALL NOT EXTEND BEYOND THE DURATION PROVIDED HEREIN.

Some states do not allow the exclusion or limitation of incidental or consequential damages or limitations on the duration of an implied warranty, so the above limitations or exclusions may not apply to You. This warranty gives You specific legal rights and You may also have other rights which vary from state to state.

This Limited Warranty is effective June 1, 2011 and replaces all undated warranties and warranties dated before June 1, 2011.

F.E. MYERS

293 Wright Street, Delavan, WI 53115

Phone: 888-987-8677 • Fax: 800-426-9446 • www.femyers.com

In Canada: P. O. Box 9138, 269 Trillium Dr., Kitchener, Ontario N2G 4W5

Phone: 519-748-5470 • Fax: 888-606-5484

Before You Install Your Pump

Pump clean water only with this pump.

NOTICE: This unit is not designed for applications involving salt water or brine! Use with salt water or brine will void warranty.

To avoid clogging the pump and damaging the shaft seal, do not pump water containing solids, foreign material, sand, silt, or abrasives. Always have the suction strainer installed when the pump is operating. Failure to use a strainer may cause the pump to fail and void the warranty.

Clean the strainer and flush out the pump after each use. Make sure all of the hose and pipe connections in the suction line are tight. An air leak in the suction line will prevent the pump from priming and reduce pump performance.

Tighten all of the piping joints to the pump hand tight +1-1/2 turns only. Overtightening may break the pump and will void the warranty.

Do not allow the pump or any system component to freeze. Freezing will void the warranty.

Periodically inspect the pump and the system components.

Priming The Pump

All suction connections must be airtight. Make sure the suction lift is not more than 25 feet (7.6M).

NOTICE: 'Priming' refers to the pump expelling all air in the system and beginning to move water from its source out into the system. It does not refer only to pouring water into the pump (although pouring water in is usually the first step).

▲ CAUTION Burn Hazard. NEVER run the pump dry. Running the pump without water may cause pump to overheat, damaging seal and possibly causing burns to persons handling the pump. Running pump without water can damage the impeller and may damage the seal, causing leaking or flooding, and will void the warranty. Fill the pump with water before starting it. Follow the steps below.

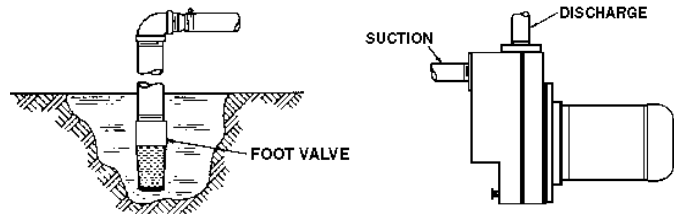
1. Remove the priming plug.
2. Make sure the suction and the discharge valves and any hoses on the discharge side of the pump are open.
3. Fill the pump and suction pipe with water
4. Replace the priming plug, using PTFE pipe thread sealant tape; tighten the plug.

NOTICE: If a priming tee and plug have been provided for a long horizontal run, be sure to fill the suction pipe through this tee and replace the plug. (Use PTFE pipe thread sealant tape on the plug.)

5. Start the pump; water should be produced in 10 minutes or less. The time will depend on the depth to water. If no water is produced within 10 minutes, stop the pump, release all the pressure, remove the priming plug, refill the pump and pipe and try again.

Pumping From Lakes, Streams, and Ponds (See Figure 1)

Surface Water Source



NOTICE: Check valve or foot valve required to maintain pump prime.

Figure 1

Locate the pump as near as possible (vertically) to the water source, to keep the suction lift (distance from the water to the pump) as low as possible. Place the pump on level support. Protect against excess moisture and flooding.

Long pipe runs and many fittings increase friction and reduce flow. Use the smallest possible number of fittings and the shortest possible run for piping.

Support the weight of the pipe.

Be sure the water is clear of debris which can clog the pump, such as sand, dirt, or scale. Be sure the foot valve and the pipe are clean and in good condition; scale or dirt in the foot valve can cause the valve to leak. Valve leakage may cause the pump to lose its prime, which can result in pump failure.

Ground Water Source

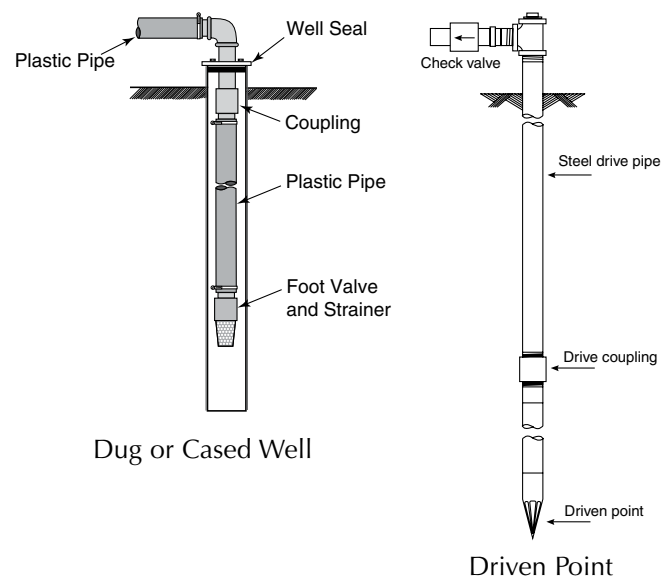


Figure 2

Piping

Both the suction and discharge are tapped for 1-1/4" pipe. If you are using hose or plastic pipe for the suction and discharge, install 1-1/4" MNPT x Hose Barb or 1-1/4" MNPT x 1-1/4" Slip adapter(s) in the pump port(s).

When hose is used for suction, be sure it is reinforced hose designed for this purpose.

A strainer and foot valve should be used on the end of suction pipe, or hose, to prevent loss of prime. It will also prevent foreign material from entering the pump which may damage the impeller and plug the pump. Performance ratings are for 1" pipe. Capacity will be reduced when garden type hose or smaller piping is used. Inspect the strainer frequently and clean when necessary.

NOTICE: This unit is not designed for applications involving salt water or brine! Use with salt water or brine will void warranty.

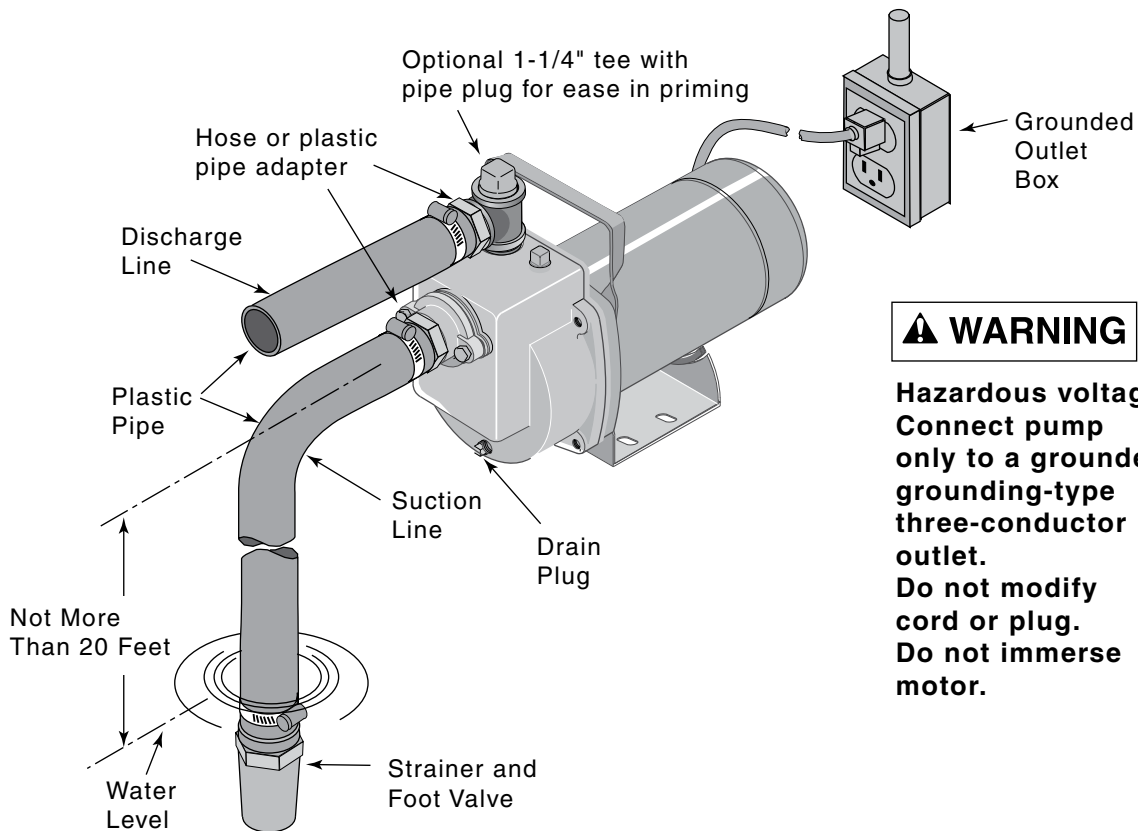
Pump water only with this pump.

Plastic Pipe

Plastic pipe may be used for any installation of this pump. No special tools are required to use this pipe. Installation can be made quickly and easily. Plastic pipe may be used for either suction or discharge hose.

⚠ WARNING Burn Hazard. NEVER run pump dry. Running pump without water may cause pump to overheat, damaging seal and possibly causing burns to persons handling pump. Fill pump with water before starting.

⚠ WARNING Burn Hazard. NEVER run pump against closed discharge. To do so can boil water inside pump, causing hazardous pressure in unit, risk of explosion and possibly scalding persons handling pump.



⚠ WARNING

Hazardous voltage. Connect pump only to a grounded, grounding-type three-conductor outlet. Do not modify cord or plug. Do not immerse motor.

Figure 3

Draining

The pump and piping should always be protected against freezing temperatures. If there is any danger of freezing, drain the pump and piping. To drain pump, remove the drain plug at the bottom of the pump body and remove priming plug. Drain all piping.

Lubrication

It is never necessary to add oil lubrication to this centrifugal pump or its motor. The motor is of the sealed ball bearing type, grease packed for life.

Replacing Mechanical Seal

This pump is furnished with a mechanical seal. It is properly installed at the factory to prevent leakage, and requires no further attention. It cannot be adjusted and no attempt should be made to adjust it. However, it is sometimes necessary to replace this seal. If so, please follow the instructions carefully.

The Shaft Seal

The shaft seal consists primarily of two parts, a rotating member and a ceramic seat.

NOTICE: The highly polished and lapped faces of the seal are easily damaged. Read instructions and handle the seal with care.

Removal Of Old Seal

1. Remove motor from pump body.
2. After unscrewing the impeller, carefully remove the rotating part of the seal by prying up on the sealing washer, using two screwdrivers (Figure 4A).
3. Tap out the ceramic seat with a screwdriver (see Figure 4B). Clean cavity from which seal was removed and clean motor shaft.

Installation Of New Seal

1. Clean polished surface of ceramic seat with a clean cloth.
2. Wet the O-Ring in the ceramic seat with soap solution.
3. Press seat into cavity firmly and squarely with finger pressure. If seat will not locate properly in this manner, place cardboard washer over polished face of seat and use piece of 3/4" standard pipe for pressing purposes. Figure 4C.
4. Dispose of cardboard washer and again be sure that polished surface of seat is free of dirt or foreign particles, and has not been scratched or damaged by the insertion.
5. Inspect shaft to make sure that it is clean.
6. Clean face of sealing washer with clean cloth.
7. Apply soap solution to inside diameter and outer face of rubber drive ring.
8. Slide seal assembly onto shaft (sealing face first) until rubber drive ring slides over shaft shoulder.
9. Screw impeller onto shaft until impeller hub hits shaft shoulder. This will automatically locate seal in place and move the sealing washer face up against floating seal face. Figure 4D.
10. Reassemble pump in reverse order of disassembly.

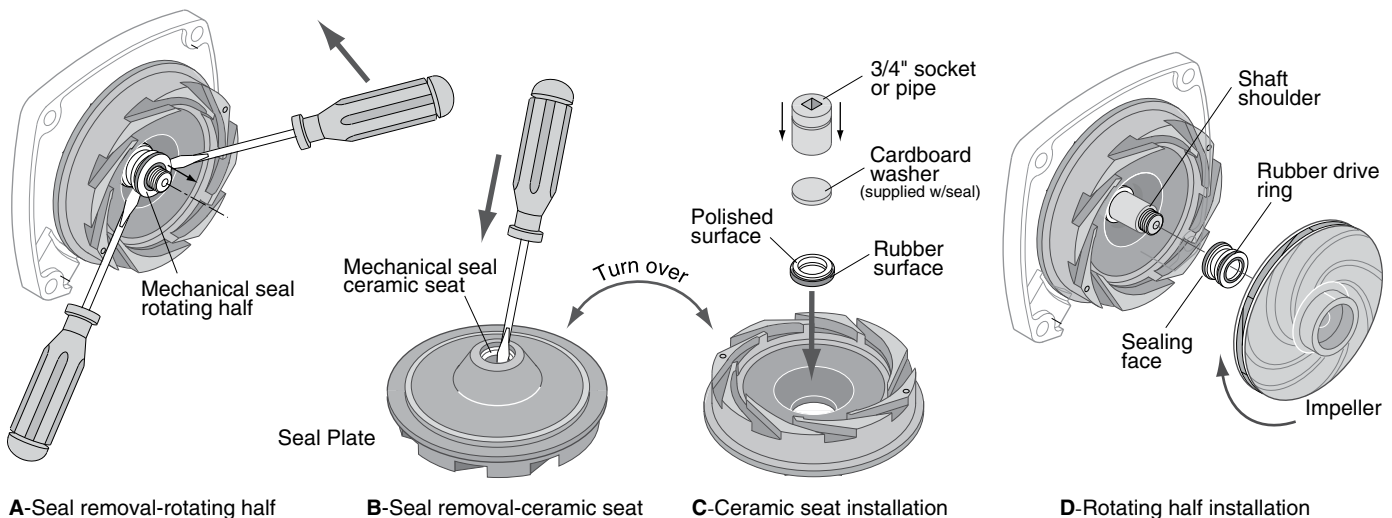
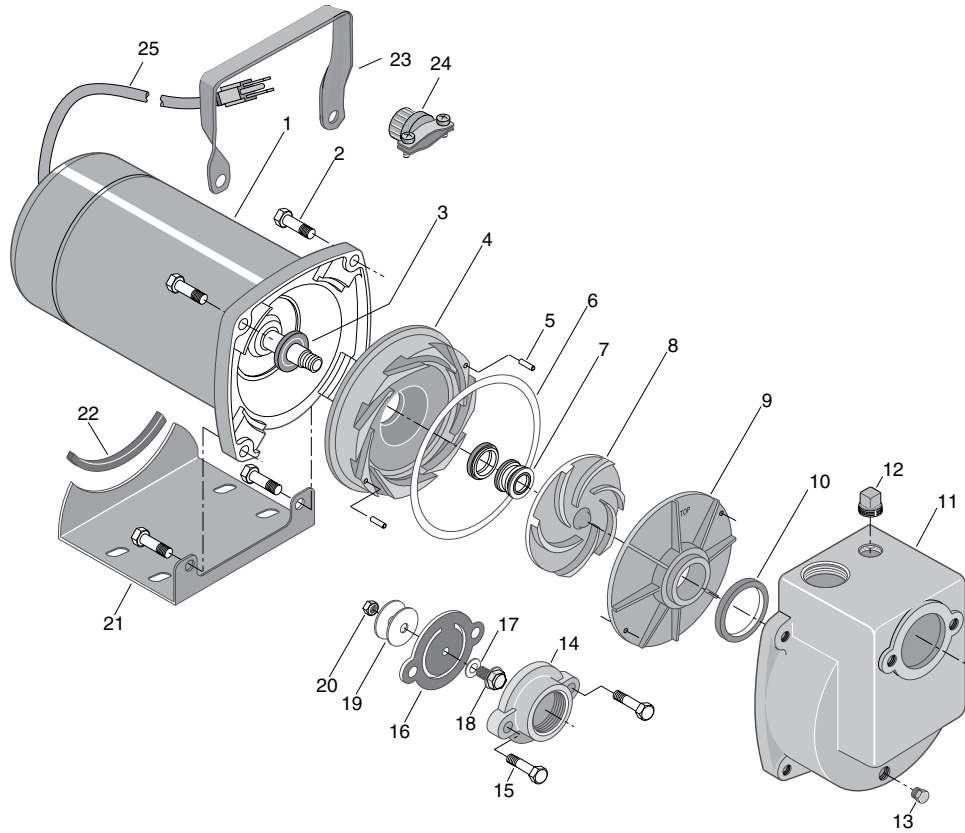


Figure 4

Symptom	Probable Cause(s)	Corrective Action
Failure to pump.	Pump not properly primed.	Make sure pump body is full of water. See priming instructions.
	Speed too low.	Check voltage at motor terminals and at meter when pump is operating. If low, refer to wiring instructions, or check with your Power Company. Check for loose connections.
	Total head too high.	A pump designed for high head service is needed.
	Suction lift too great.	Locate pump closer to source of water. Make sure suction piping is large enough.
	Excessive air leak in suction line.	Check and repair suction line.
	Water level drops while pumping, uncovering suction inlet.	Check water supply. Add pipe to suction to keep it submerged.
Reduced capacity and/or head (pressure).	Air pocket or leaks in suction line.	Check suction piping.
	Clogged impeller.	Remove and clean.
	Foot valve strainer too small, or clogged.	Use larger foot valve, clean.
	Insufficient submergence of suction pipe.	Add lengths of suction pipe to keep it well below the water surface.
	Excessive dynamic suction lift (over 20 ft.).	If caused by suction pipe friction, enlarge piping and foot valve. Otherwise move pump closer to water level.
	Total head (pressure) more than that for which pump was intended.	A larger pump is needed.
	Excessively worn impeller.	Order replacement parts, using repair parts list in this manual.
Mechanical troubles and noise.	Suction and/or discharge piping not properly supported and anchored.	See that all piping is supported to relieve strain on pump assembly.
	Motor runs hot and overload kicks off.	Check the voltage dial on the motor to set it to the correct input voltage.




Ref.	Part Description	Qty.	Part Number
1	Motor - 1/2 HP 115V/230V - 60 Hz.	1	J218-582A-115-PKG
2	Hex Capscrew - 3/8 - 16x1-1/2"	4	†
3	Water Slinger	1	17351-0009
4	Seal Plate Diffuser	1	C3-120
5	Roll Pin 3/32 x 5/16"	2	U30-522SS
6	Gasket	1	N20-35
7	Shaft Seal	1	U109-6A
8	Impeller	1	C5-184P
9	Diffuser Cover	1	C6-47P
10	Diffuser Ring	1	C21-11
11	Pump Body	1	C76-41
12	Pipe Plug - 1/2" Square Head	1	U78-59ZPS
13	Pipe Plug - 1/4" Hex Head	1	U78-941ZPV
14	Flange - 1-1/4" NPT	1	PW16-4
15	Capscrew - 3/8-16 x 1" Hex Head	2	U30-74ZP
16	Check Valve Flapper	1	PW22-1
17	Washer	1	U43-41SS
18	Capscrew - 1/4-20 x 3/4" Hex Washer Head	1	37006-4652
19	Washer	2	U43-138ZP
20	Hex Nut - 1/4-20	1	U36-36ZP
21	Base	1	J4-9
22	Rubber Pad	1	C35-5
23	Handle	1	C54-21
24	Strain Relief	1	U71-7
25	Cord	1	U17-402

† Standard hardware item; purchase locally.

Directives de sécurité importantes

Conservez ces directives – Ce manuel renferme d'importantes directives qu'il faut suivre durant l'installation et l'entretien de la pompe.

Ce symbole  indique qu'il faut être prudent. Lorsque ce symbole apparaît sur la pompe ou dans cette Notice, rechercher une des mises en garde qui suivent, car elles indiquent un potentiel de blessures corporelles!

Le mot signal **▲ DANGER** indique un danger qui, s'il n'est pas évité, *causera* la mort ou des blessures graves.

Le mot signal **▲ AVERTISSEMENT** indique un risque qui, s'il n'est pas évité, *pourrait causer* la mort ou des blessures graves.

Le mot signal **▲ ATTENTION** indique un risque qui, s'il n'est pas évité, *pourrait causer* des blessures mineures ou modérées.

Le mot **AVIS** est utilisé pour les pratiques qui ne sont pas reliées aux blessures personnelles.

Lire attentivement toutes les consignes de sécurité contenues dans cette Notice ou collées sur la pompe.

Garder en bon état les autocollants relatifs aux consignes de sécurité.

Remplacer ceux manquants ou endommagés.

Rendre les ateliers à l'épreuve des enfants; utiliser des cadenas et des interrupteurs principaux; enlever la clé des démarreurs.

Avertissement lié à la Proposition 65 de la Californie

▲ AVERTISSEMENT Ce produit et les accessoires connexes contiennent des produits chimiques reconnus dans l'État de la Californie comme pouvant provoquer des cancers, des anomalies congénitales ou d'autres dangers relatifs à la reproduction.

Consignes de sécurité générales

1. Pour éviter tout risque de blessures corporelles graves et des dommages matériels importants, lire attentivement ces consignes de sécurité avant de procéder à l'installation de cette pompe.
2. Pour installer cette pompe, respecter les codes de la plomberie et de l'électricité de la municipalité et du gouvernement fédéral.
3. **▲ AVERTISSEMENT** **Pression dangereuse.** La pompe peut exploser si elle est utilisée en tant que pompe de surpression, à moins de poser une soupape de sûreté tarée à 517 kPa (75 lb/po²) dont les orifices seront assez grands pour laisser passer le débit maximum de la pompe.
4. Ne jamais faire fonctionner la pompe à sec, sinon elle risque de surchauffer, ses pièces internes risquent d'être endommagées et les personnes qui la manipuleront risquent de se brûler. De plus, cette pratique annulera la garantie.
5. **▲ AVERTISSEMENT** **Risque d'incendie ou d'explosion.** Pour empêcher tout risque d'incendie ou d'explosion, ne pomper que de l'eau avec cette pompe. Ne pas utiliser cette pompe dans une atmosphère contenant des vapeurs inflammables.

6. **▲ AVERTISSEMENT** **Risque de brûlures.** Toute eau restée emprisonnée dans la pompe pendant qu'elle fonctionne risque de se transformer en vapeur et de provoquer une explosion et des brûlures. Ne jamais faire fonctionner la pompe si son refoulement est fermé ou bouché.
7. **▲ ATTENTION** **Risque de brûlures.** Ne pas toucher un moteur qui fonctionne. Les moteurs modernes sont conçus pour fonctionner par des températures élevées. Pour ne pas se brûler lorsqu'on intervient sur la pompe, laisser son moteur refroidir pendant 20 minutes après avoir arrêté la pompe et avant de la manipuler.

Consignes de sécurité en électricité

Cette pompe est livrée avec un cordon électrique à 3 conducteurs, dont un de mise à la terre. Ne brancher son cordon que dans une prise de courant adéquatement mise à la terre et protégée par un disjoncteur de fuite à la terre. Ne pas lever cette pompe par son cordon électrique.

▲ AVERTISSEMENT **Tension dangereuse.** Risque de secousses électriques, de brûlures, voire de mort. Mettre la pompe à la terre avant de la brancher sur le courant électrique. Avant d'intervenir sur la pompe ou le moteur, couper le courant qui les alimente.

Cette pompe n'est pas submersible. Toujours garder son moteur sec. Ne pas le laver son moteur ni l'immerger. Le protéger contre les intempéries.

Si on doit utiliser un cordon prolongateur, en utiliser un à 3 conducteurs avec mise à la terre approuvé UL pour utilisation intérieure et extérieure. Ne jamais le laisser, ni ses extrémités fiche et prise, venir en contact avec l'eau ou un endroit humide.

Avant d'intervenir sur la pompe, débrancher son cordon de la prise de courant. Pour ne pas subir de secousses électriques mortelles si on doit intervenir sur la pompe, procéder comme il est indiqué ci-dessous.

- A. Couper le courant alimentant la prise de courant avant de débrancher la pompe. Après avoir débranché son cordon de la prise de courant, et si on doit intervenir sur la pompe, la laisser refroidir pendant 20 minutes.
- B. Il faut être extrêmement prudent lorsqu'on remplace un fusible. Pour réduire les risques de secousses électriques mortelles, NE PAS se tenir dans l'eau ni mettre un doigt dans la douille d'un fusible.
- C. Mettre à la terre la prise de courant.
- D. Ne brancher la pompe que dans une prise de courant adéquatement mise à la terre protégée par un disjoncteur de fuite à la terre.

Conserver l'original du reçu pour toute référence ultérieure

Garantie limitée

F.E. MYERS garantit au consommateur initial (ci-après appelé l'« Acheteur ») que les produits énumérés dans les présentes sont exempts de défaut de matériau et de fabrication pendant la durée de la garantie à compter de la durée des garanties indiquées ci-dessous.

Produits	Durée des garanties
Pompes à éjecteur, petites pompes centrifuges, pompes submersibles et tous les accessoires connexes	<i>Selon le premier terme atteint :</i> 12 mois à compter de la date de la première installation ou 18 mois à compter de la date de fabrication
Réservoirs en fibre de verre	5 ans à compter de la date de la première installation
Réservoirs sous pression en acier	5 ans à compter de la date de la première installation
Produits de puisard/d'égout/d'effluents	12 mois à compter de la date de la première installation ou 24 mois à compter de la date de fabrication

Nos garanties ne s'appliquent pas aux produits ayant fait l'objet de négligence, d'une mauvaise utilisation, d'une mauvaise installation ou d'un manque d'entretien adéquat. Sans aucune limitation des présentes, la garantie des moteurs triphasés submersibles sera nulle et non avenue si ces moteurs sont branchés et fonctionnent sur le courant monophasé par l'intermédiaire d'un déphaseur. Il faut également noter que les moteurs triphasés doivent être protégés par un relais de surcharge tripolaire thermocompensé à déclenchement extrêmement rapide du calibre recommandé, sinon la garantie sera nulle et non avenue.

Le seul recours de l'Acheteur et la seule responsabilité de F.E. MYERS consistent à réparer ou à remplacer (au choix de F.E. MYERS) les produits qui se révéleraient défectueux. L'Acheteur s'engage à payer tous les frais de main d'œuvre et d'expédition du produit couvert par sa garantie et de s'adresser au concessionnaire-installateur ayant procédé à l'installation dès qu'un problème est découvert pour obtenir un service sous garantie. Aucune demande de service en vertu de sa garantie ne sera acceptée après expiration de la durée de sa garantie. Ces garanties ne sont pas transférables.

F.E. MYERS DÉCLINE TOUTE RESPONSABILITÉ POUR TOUT DOMMAGE INDIRECT OU FORTUIT QUEL QU'IL SOIT.

LA GARANTIE LIMITÉE SUSMENTIONNÉE EST EXCLUSIVE ET REMPLACE TOUTES LES AUTRES GARANTIES EXPRESSES ET TACITES, Y COMPRIS, MAIS SANS S'Y LIMITER, LES GARANTIES DE QUALITÉ MARCHANDE ET D'ADAPTATION À UN USAGE PARTICULIER. LA GARANTIE LIMITÉE SUSMENTIONNÉE NE DOIT PAS ÊTRE PROLONGÉE AU-DELÀ DE LA DURÉE PRÉVUE AUX PRÉSENTES.

Certains états, territoires et certaines provinces ne permettent pas l'exclusion ou la limitation des dommages indirects ou fortuits, ni les limitations relatives à la durée des garanties tacites. Par conséquent, il se peut que les limitations ou les exclusions stipulées dans les présentes ne s'appliquent pas dans ce cas. Ces garanties accordent des droits juridiques précis, bien que l'on puisse bénéficier d'autres droits, selon la province, le territoire ou l'état dans lequel on réside.

La présente garantie limitée est entrée en vigueur le 1er juin 2011 et remplace toute garantie non datée ou antérieure à cette date.

F.E. MYERS

293 Wright Street, Delavan, WI 53115

Tél. : 888-987-8677 • Téléc. : 800-426-9446 • www.femyers.com

Au Canada : P. O. Box 9138, 269 Trillium Dr., Kitchener, Ontario N2G 4W5

Tél.: 519-748-5470 • Téléc.: 888-606-5484

Avant d'installer la pompe

Ne pomper que de l'eau propre avec cette pompe.

AVIS : Ne pas pomper de l'eau salée ni de la saumure avec cette pompe, sinon la garantie sera annulée.

Pour ne pas boucher la pompe ni endommager le joint de l'arbre, ne pas pomper de matières solides, de corps étrangers, de sable, de limon ni de matières abrasives. Pendant que la pompe fonctionne, sa crépine d'aspiration doit toujours être en place, sinon la pompe risque de tomber en panne et la garantie sera annulée.

Après chaque utilisation, nettoyer la crépine et laver la pompe. S'assurer que tous les raccords des tuyaux d'aspiration souples et rigides sont étanches. Toute prise d'air dans la conduite d'aspiration empêchera la pompe de s'amorcer, ce qui limitera son débit.

Lors du branchement des tuyaux sur la pompe, ne les serrer qu'à la main de 1 1/2 tour. Un serrage excessif risque de briser la pompe, ce qui annulera la garantie.

Ne jamais laisser la pompe ni aucun composant du système geler, sinon la garantie sera annulée.

Périodiquement, inspecter la pompe et les composants du système.

Amorçage de la pompe

Tous les raccords d'aspiration doivent être étanches. S'assurer que la hauteur géométrique d'aspiration ne dépasse pas 7,60 mètres (25 pieds).

AVIS : « Amorçage » signifie que la pompe chasse tout l'air du système et qu'elle aspire l'eau de la source pour l'envoyer dans le système. Ce terme ne signifie pas qu'il suffit tout simplement de verser de l'eau dans la pompe (bien que cette opération soit la première à effectuer).

⚠ ATTENTION **Risque de brûlures.** NE JAMAIS faire fonctionner la pompe à sec, sinon elle risque de surchauffer, son joint risque d'être endommagé et les personnes qui la manipuleront risquent de se brûler. Faire fonctionner la pompe à sec peut endommager l'impulseur et le joint, ce qui causera des fuites ou une inondation. De plus, la garantie sera annulée. Avant de démarrer la pompe, la remplir d'eau.

Procéder aux opérations suivantes.

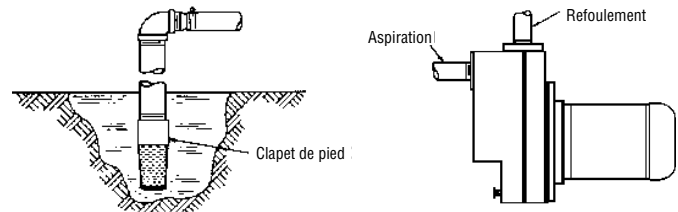
1. Déposer le bouchon d'amorçage.
2. S'assurer que les robinets de l'aspiration et du refoulement, de même que tous les tuyaux souples branchés sur le côté refoulement de la pompe, sont ouverts.
3. Remplir d'eau la pompe et le tuyau d'aspiration.
4. Reposer le bouchon d'amorçage après avoir enveloppé ses filets du ruban d'étanchéité en PTFE pour filetage. Le serrer.

AVIS : Si un té et un bouchon d'amorçage sont posés sur une grande longueur horizontale, ne pas oublier de remplir d'eau le tuyau d'aspiration par ce té, puis de reposer le bouchon. (Envelopper les filets du bouchon du ruban d'étanchéité en PTFE pour filetage).

5. Démarrer la pompe. En fonction de la profondeur jusqu'à l'eau, elle doit débiter dans les 10 minutes qui suivent. Si elle ne débite pas dans les 10 minutes, l'arrêter, dissiper toute la pression, déposer le bouchon d'amorçage, puis la remplir d'eau, ainsi que les tuyaux. Essayer de nouveau.

Pompage d'un lac, d'un ruisseau ou d'un étang (Se reporter à la Figure 1)

Source d'eau de surface



AVIS : Clapet antiretour ou de pied requis pour que la pompe reste amorcée.

Figure 1

Installer la pompe aussi près que possible (à la verticale) de la source d'eau de façon que la hauteur géométrique d'aspiration (la distance entre la pompe et l'eau) aussi courte que possible. Installer la pompe sur un support de niveau et la protéger contre l'humidité et les inondations.

Les grandes longueurs de tuyaux et de nombreux raccords augmentent le frottement et diminuent le débit. Utiliser le moins possible de raccords et des longueurs de tuyaux aussi courtes que possibles.

Supporter le poids des tuyaux.

S'assurer que l'eau est débarrassée de débris pouvant boucher la pompe, comme du sable, de la saleté ou du tartre. Le clapet de pied et les tuyaux doivent être propres et en bon état. Si le clapet de pied est entartré ou sale, il risque de fuir. Dans ce cas, la pompe se désamorçera, ce qui risquera de l'endommager.

Source d'eau souterraine

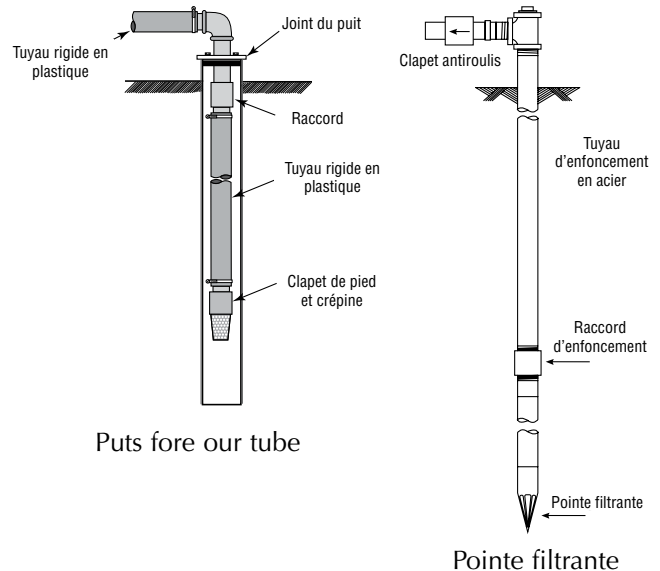


Figure 2

Tuyauterie

Les orifices d'aspiration et de refoulement de la pompe sont filetés pour recevoir des tuyaux rigides de 1 1/4 de pouce. Si on utilise des tuyaux en plastique souples ou rigides pour l'aspiration et le refoulement, poser, dans les orifices de la pompe, des adaptateurs de 1 1/4 pouce MNPT d'un côté et cannelées ou lisses de l'autre côté.

Si on utilise un tuyau souple pour l'aspiration, s'assurer qu'il est renforcé et prévu pour cet usage.

Une crépine et un clapet de pied doivent être posés à l'extrémité du tuyau d'aspiration rigide ou souple pour que la pompe ne se désamorçe pas. Le clapet empêche également les corps étrangers d'être aspirés dans la pompe, lesquels risqueraient d'endommager l'impulseur et de boucher la pompe. Les rendements indiqués seront obtenus avec des tuyaux de 1 pouce. Ils seront moindres si on utilise un tuyau d'arrosage ou un tuyau de diamètre plus petit. Inspecter fréquemment la crépine et la nettoyer au besoin.

AVIS : Ne pas pomper de l'eau salée ni de la saumure avec cette pompe, sinon la garantie sera annulée.

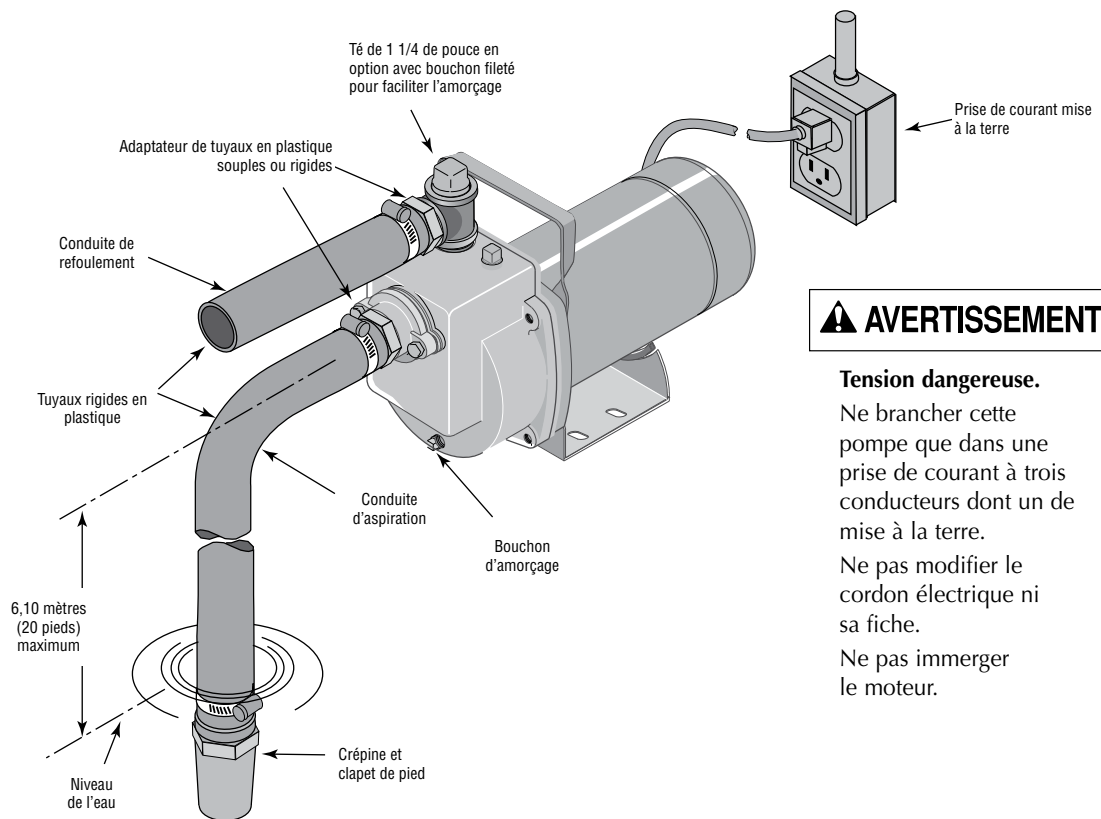
Ne pomper que de l'eau propre avec cette pompe.

Tuyaux rigides en plastique

Des tuyaux rigides en plastique peuvent être branchés sur cette pompe. Pour cela, aucun outil spécial n'est requis. Cette installation se fait rapidement et facilement. Des tuyaux rigides en plastique peuvent être utilisés pour le refoulement et l'aspiration.

⚠ AVERTISSEMENT **Risque de brûlures.** NE JAMAIS faire fonctionner la pompe à sec, sinon elle risque de surchauffer, son joint risque d'être endommagé et les personnes qui la manipuleront risquent de se brûler. Avant de démarrer la pompe, la remplir d'eau.

⚠ AVERTISSEMENT **Risque de brûlures.** NE JAMAIS faire fonctionner la pompe si un refoulement est fermé. Sinon l'eau risque de bouillir dans la pompe et une pression dangereuse peut s'accumuler à l'intérieur. Un danger d'explosion peut s'ensuivre et les personnes se trouvant à proximité risquent d'être ébouillantées.



⚠ AVERTISSEMENT

Tension dangereuse.

Ne brancher cette pompe que dans une prise de courant à trois conducteurs dont un de mise à la terre.

Ne pas modifier le cordon électrique ni sa fiche.

Ne pas immerger le moteur.

Figure 3

Vidage

La pompe et la tuyauterie doivent toujours être protégées contre le gel. S'il y a risque de gel, les vider. Pour cela, enlever le bouchon qui se trouve à la partie inférieure du corps de la pompe, de même que celui d'amorçage. Vider toutes les tuyauteries.

Lubrification

Les pompes centrifuges et leur moteur ne nécessitent aucun ajout d'huile. Les roulements à billes du moteur sont étanches et graissés à vie.

Remplacement du joint mécanique

Cette pompe est livrée avec un joint mécanique qui empêchera son arbre de fuir. Il ne faut donc pas essayer de le démonter. Il n'est pas réglable et il ne faut jamais essayer de le régler. Si un jour il doit être remplacé, observer attentivement les instructions qui suivent.

Joint de l'arbre

Il se compose de deux parties principales : une partie rotative et un siège en céramique.

AVIS : Les surfaces hautement polies et rodées du joint sont facilement endommageables. Lire les instructions et manipuler le joint avec prudence.

Dépose de l'ancien joint

Séparer le moteur du corps de la pompe.

1. Après avoir dévisser l'impulseur, déposer prudemment la partie rotative du joint en prenant appui avec deux tournevis sur la rondelle d'étanchéité. (Figure 4A).
2. Avec un tournevis, chasser le joint en céramique (Figure 4B). Nettoyer sa cavité ainsi que l'arbre du moteur.

Pose d'un joint neuf

1. Avec un chiffon propre, nettoyer la surface polie du siège en céramique.
2. Mouiller le joint torique du siège en céramique avec une solution savonneuse.
3. Fermeement, bien d'équerre et avec les doigts, pousser le siège dans sa cavité. Si, de cette manière, il ne se positionne pas adéquatement, poser la rondelle en carton fournie sur la surface polie du siège, puis pousser dessus avec un morceau de tuyau de 3/4 de pouce. (Figure 4C).
4. Jeter ensuite la rondelle en carton. S'assurer de nouveau que la surface polie du siège est propre et débarrassée de corps étrangers et qu'elle n'a pas été endommagée ni rayée lors de la pose.
5. S'assurer que l'arbre est propre.
6. Avec un chiffon propre, nettoyer la rondelle d'étanchéité.
7. Appliquer une solution savonneuse dans le diamètre intérieur et sur la surface extérieure de la bague d'entraînement en caoutchouc.
8. Glisser le joint sur l'arbre (sa surface d'étanchéité en premier) jusqu'à ce que la bague d'entraînement en caoutchouc passe par-dessus l'épaule de l'arbre.
9. Visser l'impulseur sur l'arbre jusqu'à ce que son moyeu vienne buter contre l'épaule de l'arbre. Ceci permettra de positionner automatiquement le joint, puis déplacer la rondelle d'étanchéité contre le joint flottant. (Figure 4D).
10. Remonter la pompe en procédant à l'inverse de sa dépose.

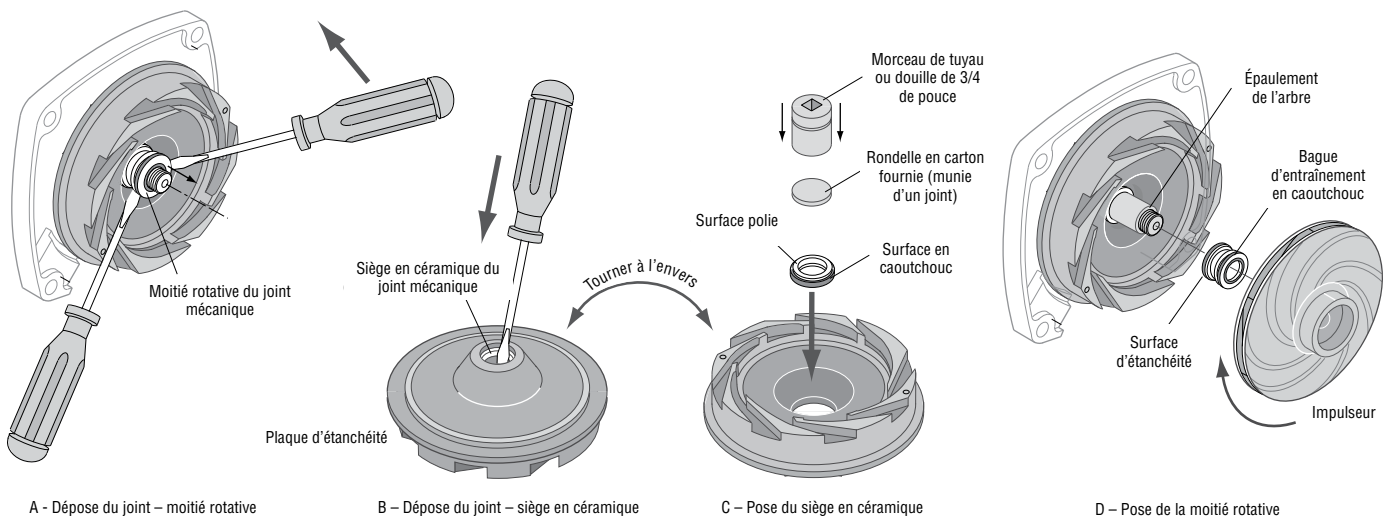
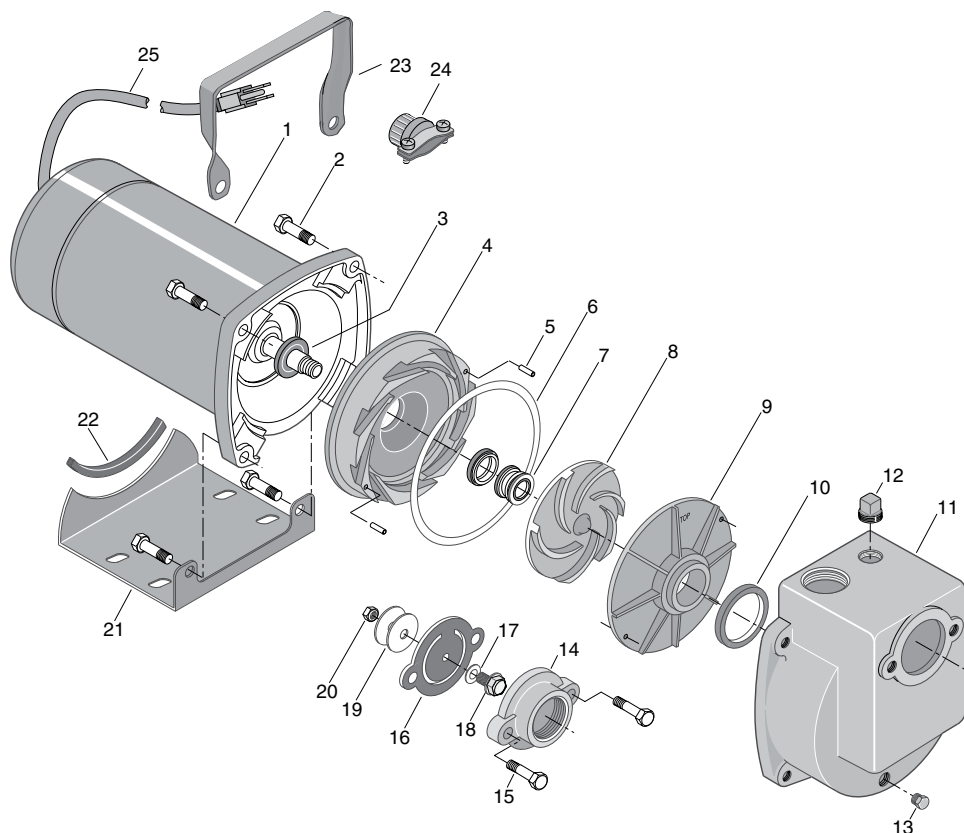


Figure 4

Symptôme	Causes possibles	Remèdes
La pompe ne pompe pas.	Elle n'est pas adéquatement amorcée.	S'assurer que son corps est plein d'eau. Se reporter aux instructions d'amorçage.
	Elle tourne trop lentement.	Pendant que la pompe fonctionne, vérifier la tension aux bornes du moteur et au compteur. Si la tension est basse, se reporter aux instructions de câblage ou bien s'adresser à la compagnie d'électricité. S'assurer qu'aucun raccord n'est desserré.
	Hauteur totale d'aspiration trop haute.	Une pompe conçue pour un refoulement élevé est requise.
	Hauteur géométrique d'aspiration trop grande.	Déplacer la pompe le plus près possible de la source d'eau. S'assurer que le diamètre du tuyau d'aspiration est suffisamment grand.
	Prises d'air dans la conduite d'aspiration.	Vérifier la conduite d'aspiration et la réparer.
	Le niveau d'eau baisse pendant le pompage, ce qui découvre l'aspiration.	Vérifier l'alimentation en eau. Ajouter une longueur au tuyau d'aspiration pour qu'il soit toujours immergé.
Débits réduits et/ou hauteur (piézométrique).	Prises d'air dans la conduite d'aspiration ou bien il s'est formé des poches d'air.	Vérifier la conduite d'aspiration.
	Impulseur bouché.	Déposer et nettoyer l'impulseur.
	Crépine du clapet de pied trop petite ou obstruée.	Poser un clapet de pied plus grand. Nettoyer la crépine.
	Tuyau d'aspiration pas suffisamment immergé.	Y ajouter d'autres longueurs de façon qu'il soit toujours dans l'eau.
	La hauteur dynamique d'aspiration est excessive. Supérieure à 6,10 mètres (20 pieds).	Si cet incident est causé par le frottement dans le tuyau d'aspiration, en utiliser un ainsi qu'un clapet de plus grands diamètres. Sinon, rapprocher la pompe du niveau d'eau.
	La hauteur (piézométrique) totale est supérieure à celle pour laquelle la pompe est prévue.	En installer une plus puissante.
Bruits et incidents mécaniques.	Les tuyaux d'aspiration et/ou de refoulement ne sont pas adéquatement supportés ni immobilisés.	S'assurer qu'ils sont tous bien supportés et qu'ils n'exercent pas de contrainte sur la pompe.
	Le moteur chauffe et la surcharge de coup d'envoi.	Vérifiez la molette de tension sur le moteur pour le mettre à la tension d'entrée correcte.



Réf.	Désignation des pièces	Qté	Numéro des pièces
1	Moteur de 1/2 ch, 115/230 V, 60 Hz	1	J218-582A-115-PKG
2	Vis d'assemblage à tête hexagonale de 3/8-16 x 1 1/2 pouce	4	†
3	Défecteur d'eau	1	17351-0009
4	Diffuseur de la plaque d'étanchéité	1	C3-120
5	Axe cylindrique de 3/32 x 5/16 pouce	2	U30-522SS
6	Joint plat	1	N20-35
7	Joint de l'arbre	1	U109-6A
8	Impulseur	1	C5-184P
9	Couvercle du diffuseur	1	C6-47P
10	Bague du diffuseur	1	C21-11
11	Corps de la pompe	1	C76-41
12	Bouchon fileté à tête carrée de 1/2 pouce	1	U78-59ZPS
13	Bouchon fileté à tête hexagonale de 1/4 de pouce	1	U78-941ZPV
14	Bride de 1 1/4 pouce NPT	1	PW16-4
15	Vis d'assemblage à tête hexagonale de 3/8-16 x 1 pouce	2	U30-74ZP
16	Battant du clapet antiretour	1	PW22-1
17	Rondelle	1	U43-41SS
18	Vis d'assemblage à tête hexagonale à rondelle captive de 1/4-20 x 3/4 pouce	1	37006-4652
19	Rondelle	2	U43-138ZP
20	Écrou à six pans de 1/4-20	1	U36-36ZP
21	Socle	1	J4-9
22	Support en caoutchouc	1	C35-5
23	Poignée	1	C54-21
24	Réducteur de tension	1	U71-7
25	Cordon électrique	1	U17-402

† Quincaillerie standard à acheter localement.

Instrucciones importantes de seguridad

Guarde estas instrucciones - Este manual contiene instrucciones importantes que se deben seguir durante la instalación y el mantenimiento del bombas de sumidero.

▲ Este es un símbolo de alerta sobre la seguridad. Cuando vea este símbolo en su bomba o en este manual, busque para ver si hay alguna de las siguientes palabras de señal y esté alerta a la posibilidad de lesiones personales.

▲ PELIGRO indica un riesgo que, de no evitarse, *provocará* la muerte o lesiones de gravedad.

▲ ADVERTENCIA indica un riesgo que, de no evitarse, *podría* provocar la muerte o lesiones de gravedad.

▲ PRECAUCIÓN indica un riesgo que, de no evitarse, *podría* provocar lesiones leves o moderadas.

AVISO hace referencia a una práctica no relacionada con una lesión física.

Lea y siga cuidadosamente todas las instrucciones de seguridad en este manual y en la bomba.

Mantenga las etiquetas de seguridad en buen estado.

Reemplace las etiquetas de seguridad que falten o que estén dañadas.

Asegúrese de que los talleres sean "a prueba de niños"; use candados e interruptores maestros; retire las llaves de ignición.

Advertencia de la Proposición 65 de California

▲ ADVERTENCIA Este producto y accesorios relacionados contienen sustancias químicas reconocidas en el Estado de California como causantes de cáncer, malformaciones congénitas y otros daños al sistema reproductivo.

Seguridad general

1. Para evitar el peligro de lesiones corporales y daños materiales graves, lea las instrucciones de seguridad con atención antes de instalar esta bomba.
2. Cuando instale la bomba, cumpla con las normas de plomería y de electricidad locales y/o nacionales.
3. **▲ ADVERTENCIA Presión Peligrosa.** La unidad de la bomba puede explotar si se usa como bomba de refuerzo, a menos que se haya instalado una válvula de desahogo capaz de pasar todo el caudal de la bomba a 75 PSI (517 kPa).
4. Nunca deje marchar la bomba en seco; de lo contrario podrá dañar las piezas internas, y sobrecalentar la bomba (lo cual puede provocar quemaduras a las personas que estén manipulando o reparando la bomba), y anulará la garantía.
5. **▲ ADVERTENCIA Peligro de incendio o de explosión.** Para evitar el peligro de incendio y de explosión, bombee sólo agua con esta bomba. No la use en atmósferas que puedan contener vapores o gases inflamables.
6. **▲ ADVERTENCIA Peligro de quemadura.** Si queda atrapada agua en la bomba durante la operación, se podrá convertir en vapor. El vapor atrapado puede provocar explosiones y quemaduras. Nunca deje marchar la bomba con la salida cerrada u obstruida.
7. **▲ PRECAUCIÓN Peligro de quemadura.** No toque un motor en marcha. Los motores modernos pueden operar a altas temperaturas. Para evitar quemaduras cuando se esté reparando la bomba, deje que se enfríe por 20 minutos después de haberla apagado y antes de manipularla.

Seguridad eléctrica

La bomba viene provista de un cordón con 3 conductores con puesta a tierra. Conéctela solamente a un tomacorriente debidamente puesto a tierra y protegido por un disyuntor de escape a tierra (GFCI). No levante la bomba por medio del cordón eléctrico.

▲ ADVERTENCIA Tensión peligrosa. Puede provocar choques eléctricos, quemaduras o muerte. Conecte la bomba a tierra antes de conectar la fuente de alimentación. Desconecte la corriente antes de trabajar en la bomba, en el motor o en el tanque.

La bomba no es sumergible. Mantenga el motor seco en todo momento. No lave el motor. No lo sumerja. Proteja el motor de climas húmedos.

Si usa un cordón de alargue, use sólo un cordón trifilar aprobado por UL para interiores/exteriores, con conexión de puesta a tierra. No permita que ninguna parte del cordón ni las puntas del receptáculo permanezcan en el agua o en lugares húmedos.

Desenchufe la bomba antes de realizar trabajos de mantenimiento o de reparación. Para evitar choques fatales, proceda de la siguiente manera si es necesario reparar la bomba.

- A. Desconecte la corriente eléctrica a la caja de salida de la bomba antes de desenchufar la bomba. Después de haberla desenchufado, permita que la bomba se enfríe por 20 minutos antes de tratar de realizar trabajos en la misma.
- B. Tenga mucho cuidado cuando cambie los fusibles. Para reducir la posibilidad de choques eléctricos fatales, NO se pare sobre el agua ni ponga sus dedos en el portafusible.
- C. Conecte la caja de salida a tierra.
- D. Enchufe la bomba sólo en un tomacorriente puesto a tierra con un disyuntor de escape a tierra (GFCI).

Guarde el recibo original para cualquier referencia posterior

Garantía limitada

F.E. MYERS le garantiza al comprador/consumidor original (“Comprador” o “Usted”) de los productos enumerados abajo, que estos estarán libres de defectos en material y mano de obra durante el Período de Garantía indicado a continuación.

Producto	Período de garantía
Bombas de chorro, pequeñas bombas centrífugas, bombas sumergibles y accesorios asociados	<i>lo que ocurra primero:</i> 12 meses desde la fecha de la instalación inicial, o 18 meses desde la fecha de fabricación
Tanques de devanado de fibra de vidrio	5 años desde la fecha de la instalación inicial
Tanques a presión de acero	5 años desde la fecha de la instalación inicial
Productos para sumideros/aguas residuales/efluente	12 meses desde la fecha de la instalación inicial, o 24 meses desde la fecha de fabricación

Nuestra garantía no se aplicará a ningún producto que, a nuestro sólo juicio, haya sido sometido a negligencia, mal uso, instalación inadecuada o mal mantenimiento. Sin perjuicio a lo que antecede, la garantía quedará anulada en el caso en que un motor trifásico se haya usado con una fuente de alimentación monofásica, a través de un convertidor de fase. Es importante indicar que los motores trifásicos deben estar protegidos por relés de sobrecarga de disparo extra-rápido, con compensación ambiental de tres etapas, del tamaño recomendado, de lo contrario, la garantía quedará anulada.

Su único recurso, y la única obligación de F.E. MYERS es que F.E. MYERS repare o reemplace los productos defectuosos (a juicio de F.E. MYERS). Usted deberá pagar todos los cargos de mano de obra y de envío asociados con esta garantía y deberá solicitar el servicio bajo garantía a través del concesionario instalador tan pronto como se descubra un problema. No se aceptará ninguna solicitud de servicio bajo garantía que se reciba después del vencimiento del Período de Garantía. Esta garantía no se puede transferir.

F.E. MYERS NO SE HARÁ RESPONSABLE DE NINGÚN DAÑO CONSECUENTE, INCIDENTAL O CONTINGENTE.

LAS GARANTÍAS LIMITADAS QUE ANTECEDEN SON EXCLUSIVAS Y EN LUGAR DE TODA OTRA GARANTÍA EXPLÍCITA E IMPLÍCITA, INCLUYENDO, PERO SIN LIMITARSE A LAS GARANTÍAS IMPLÍCITAS DE COMERCIALIZACIÓN E IDONEIDAD PARA UN FIN ESPECÍFICO. LAS GARANTÍAS LIMITADAS QUE ANTECEDEN NO SE EXTENDERÁN MÁS ALLÁ DEL PERÍODO DE DURACIÓN INDICADO EN LA PRESENTE.

Algunos estados no permiten la exclusión o limitación de daños incidentales o consecuentes o de limitaciones de tiempo sobre garantías implícitas, de modo que es posible que las limitaciones o exclusiones que preceden no correspondan en su caso. Esta garantía le otorga derechos legales específicos y es posible que usted también tenga otros derechos que pueden variar de un estado al otro.

Esta Garantía Limitada entra en vigor el 1 de junio de 2011 y sustituye toda garantía sin fecha o garantía con fecha anterior al 1 de junio de 2011.

F.E. MYERS
293 Wright Street, Delavan, WI 53115
Teléfono: 888-987-8677 • Fax: 800-426-9446 • www.femyers.com
En Canadá: P. O. Box 9138, 269 Trillium Dr., Kitchener, Ontario N2G 4W5
Teléfono: 519-748-5470 • Fax: 888-606-5484

Antes de instalar la bomba

Bombear sólo agua limpia con esta bomba.

AVISO: Esta unidad no ha sido diseñada para usos con agua salada o salmuera. El uso con agua salada o salmuera invalidará la garantía.

Para que la bomba no se atasque, dañando el sello del eje, no bombee agua que contenga partículas sólidas, sustancias extrañas, arena, cieno, o sustancias abrasivas. Asegúrese de que la cesta de aspiración siempre esté instalada cuando la bomba esté funcionando; de lo contrario, la bomba podrá fallar y la garantía quedará anulada.

Limpie la criba y enjuague la bomba después de cada uso.

Verifique que todas las conexiones de la manguera y las tuberías en la línea de aspiración estén bien ajustadas. Una fuga de aire en la línea de aspiración impedirá que la bomba cee y reducirá su desempeño.

Apriete a mano todas las juntas de tubería a la bomba, con +1-1/2 de vuelta solamente. Si se aprietan demasiado, existe el riesgo de que la bomba se rompa y la garantía quedará anulada. No permita que la bomba ni ningún otro componente del sistema se congelen. El congelamiento invalidará la garantía.

Inspeccione la bomba y los componentes del sistema periódicamente.

Cebadura de la bomba

Todas las conexiones de aspiración deben ser herméticas. Verifique que la altura de aspiración no sea superior a 25 pies (7.6 m).

AVISO: "Cebadura" significa que la bomba expulsa todo el aire en el sistema y comienza a mover agua desde su fuente hacia el sistema. No significa solamente el verter agua en la bomba (aunque el vertido de agua es generalmente el primer paso de la cebadura).

⚠ PRECAUCIÓN Peligro de quemadura. NUNCA haga marchar la bomba en seco. Si la bomba funciona sin agua, se podrá recalentar, dañando el sello y probablemente provocando quemaduras en las personas que la estén manipulando. Si la bomba funciona sin agua, pueden ocurrir daños en el impulsor y en el sello, lo que provocará fugas e inundación, e invalidará la garantía. Llene la bomba con agua antes de encenderla.

Siga los pasos siguientes.

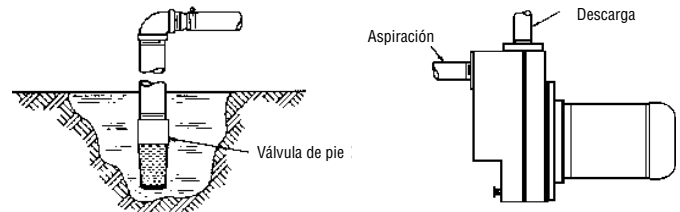
1. Saque el tapón de cebadura.
2. Verifique que las válvulas de aspiración y de descarga y toda manguera del lado de la descarga de la bomba estén abiertas.
3. Llene la bomba y la tubería de aspiración con agua
4. Vuelva a colocar el tapón de cebadura, usando cinta selladora de PTFE para roscas de tubería en la rosca; ajústelo.

AVISO: Si se ha suministrado un Te y un tapón de cebadura para un trayecto horizontal, asegúrese de llenar la tubería de aspiración a través de este Te y de volver a colocar el tapón. (Use cinta selladora de PTFE para roscas de tubería.)

5. Encienda la bomba; deberá producir agua en 10 minutos o menos tiempo. El tiempo dependerá de la profundidad al agua. Si no se produce agua dentro de los 10 minutos, detenga la bomba, descargue toda la presión, saque el tapón de cebadura, vuelva a llenar la bomba y la tubería y pruebe nuevamente.

Bombeo desde lagos, arroyos y estanques (Ver Figura 1)

Fuente de agua superficial



AVISO: Se requiere una válvula de retención o de pie para mantener la cebadura de la bomba.

Figura 1

Coloque la bomba lo más cerca posible (verticalmente) de la fuente de agua para mantener la altura de aspiración (la distancia desde el agua hasta la bomba) lo más baja posible. Coloque la bomba sobre un soporte nivelado. Protéjala de la humedad excesiva y de las inundaciones.

Los trayectos de tubería largos y una gran cantidad de accesorios aumentan la fricción y reducen el flujo. Use la menor cantidad posible de accesorios y el trayecto más corto posible para la tubería.

Soporte el peso de la tubería.

Verifique que el agua esté libre de escombros que puedan obstruir la bomba, como arena, suciedad o limo. Verifique que la válvula de pie y la tubería estén limpias y en buen estado; el limo y la suciedad en la válvula de pie pueden provocar fugas en la válvula. Las fugas en la válvula pueden hacer que la bomba pierda su cebado lo que provocará una falla de la bomba.

Fuente de agua subterránea

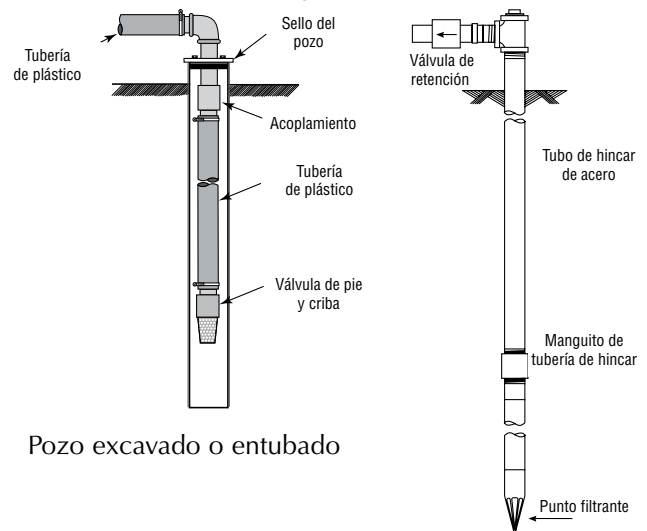


Figura 2

Tuberías

Tanto la aspiración como la descarga están fileteadas para tuberías de 1-1/4". Si usted está usando una manguera o tubería de plástico para la aspiración y la descarga, instale una boquilla de manguera o un adaptador(es) deslizante(s) de 1-1/4" MNPT x 1-1/4" en el(los) orificio(s) de la bomba.

Cuando la manguera se use para la aspiración, verifique que sea una manguera reforzada diseñada para esta finalidad.

Se deberá usar una criba y una válvula de pie en el extremo de la tubería o de la manguera de aspiración para impedir la pérdida de cebadura. También evitará que sustancias extrañas entren en la bomba, lo cual podría dañar el impulsor y atascar la bomba.

Las clasificaciones nominales del desempeño son para tubos de 1". Si se usa una manguera de jardín o una tubería más pequeña, la capacidad se verá reducida.

Inspeccione la criba con frecuencia y límpiela cuando sea necesario.

AVISO: Esta unidad no ha sido diseñada para usos con agua salada o salmuera. El uso con agua salada o salmuera invalidará la garantía.

Sólo bombee agua con esta bomba.

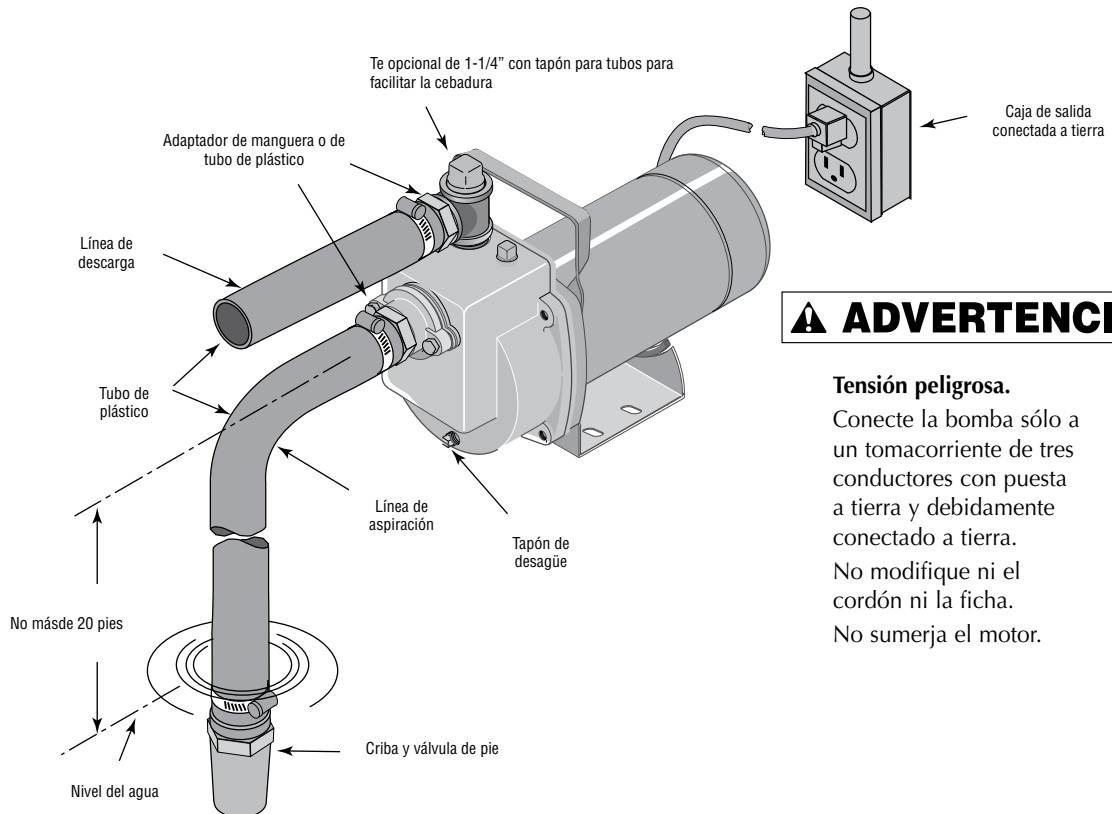
Tubería de plástico

Se puede usar un tubo de plástico para instalar esta bomba. No se necesitan herramientas especiales para usar este tubo.

La instalación se puede hacer en forma rápida y fácil. Sólo se necesitan adaptadores de rosca de tubo a tubo de plástico, abrazaderas para manguera, destornillador y un cuchillo. El tubo de plástico se puede usar tanto para las tuberías de aspiración como para las de descarga.

⚠ ADVERTENCIA Peligro de quemadura. NUNCA haga marchar la bomba en seco. Si la bomba funciona sin agua, se podrá recalentar, dañando el sello y probablemente provocando quemaduras en las personas que la estén manipulando. Llene la bomba con agua antes de encenderla.

⚠ ADVERTENCIA Peligro de quemadura. NUNCA haga marchar la bomba contra una descarga cerrada. Eso puede hacer hervir el agua dentro de la bomba, creando una presión peligrosa en la unidad, el riesgo de explosión y posible escaldadura de las personas que estén manipulando la bomba.



⚠ ADVERTENCIA

Tensión peligrosa.

Conecte la bomba sólo a un tomacorriente de tres conductores con puesta a tierra y debidamente conectado a tierra.

No modifique ni el cordón ni la ficha.

No sumerja el motor.

Figura 3

Drenaje

Es necesario proteger la bomba y la tubería contra temperaturas heladas. Si existe el peligro de heladas, se deberá drenar la bomba y las tuberías. Para drenar la bomba, retire la válvula del tapón de purga en la parte inferior del cuerpo de la bomba y saque el tapón de cebadura. Drene toda la tubería.

Lubricación

No es necesario agregar aceite de lubricación a esta Bomba Centrífuga Autocebadora ni a su motor. El motor es del tipo de cojinete de bolas hermético, engrasado de por vida.

Reemplazo del sello mecánico

Esta bomba viene provista de un sello mecánico instalado de fábrica para impedir fugas y no requiere ninguna atención adicional. No se puede ajustar y no se debe tratar de ajustarla por ningún motivo. Sin embargo, a veces es necesario cambiar el sello. En ese caso, es importante seguir las instrucciones cuidadosamente.

El eje del sello

El eje del sello consta principalmente de dos piezas, una porción rotatoria y un asiento de cerámica.

AVISO: Las caras rectificadas y pulidas a precisión se pueden dañar con facilidad. Lea las instrucciones y manipule el sello con cuidado.

Remoción del sello antiguo

Saque el motor de la unidad de la bomba.

1. Después de destornillar el impulsor, saque la porción rotatoria del sello cuidadosamente, empujando hacia arriba sobre la arandela de estanqueidad, usando dos destornilladores (Figura 4A).
2. Golpetee y saque el asiento de cerámica con un destornillador (Ver la Figura 4B). Limpie la cavidad de donde ha sacado el sello y limpie el eje del motor.

Instalación del nuevo sello

1. Limpie la superficie pulida del asiento de cerámica con un paño limpio.
2. Humedezca el aro tórico en el asiento de cerámica con una solución jabonosa.
3. Presione el asiento firme y directamente en la cavidad con la presión del dedo. Si el asiento no se puede colocar debidamente de esta manera, coloque una arandela de cartón sobre la cara pulida del asiento y use un trozo de 3/4" de tubo estándar para presionar. Figura 4C.
4. Elimine la arandela de cartón y verifique nuevamente que la superficie pulida del asiento esté libre de suciedad o de sustancias extrañas, y que no se haya rayado ni averiado durante la inserción.
5. Inspeccione el eje para verificar que esté limpio.
6. Limpie la cara de la arandela de estanqueidad con un paño limpio.
7. Aplique una solución jabonosa en el diámetro interior y en la cara exterior del aro motriz de caucho.
8. Deslice la unidad del sello en el eje (con la cara de estanqueidad primero) hasta que aro motriz de caucho se deslice por encima del hombro del eje.
9. Atornille el impulsor en el eje hasta que el cubo del impulsor toque el hombro del eje. Esto colocará el sello automáticamente en posición y moverá la cara de estanqueidad de la arandela contra la cara flotante del sello. Figura 4D.
10. Vuelva a armar la bomba en orden inverso al ensamblaje.

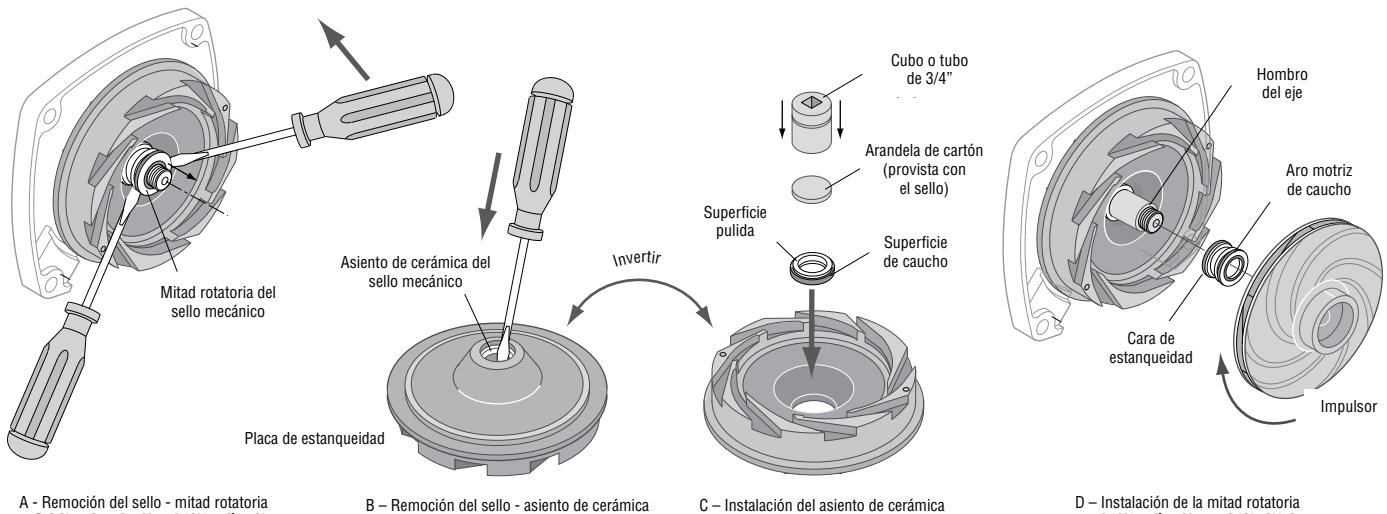
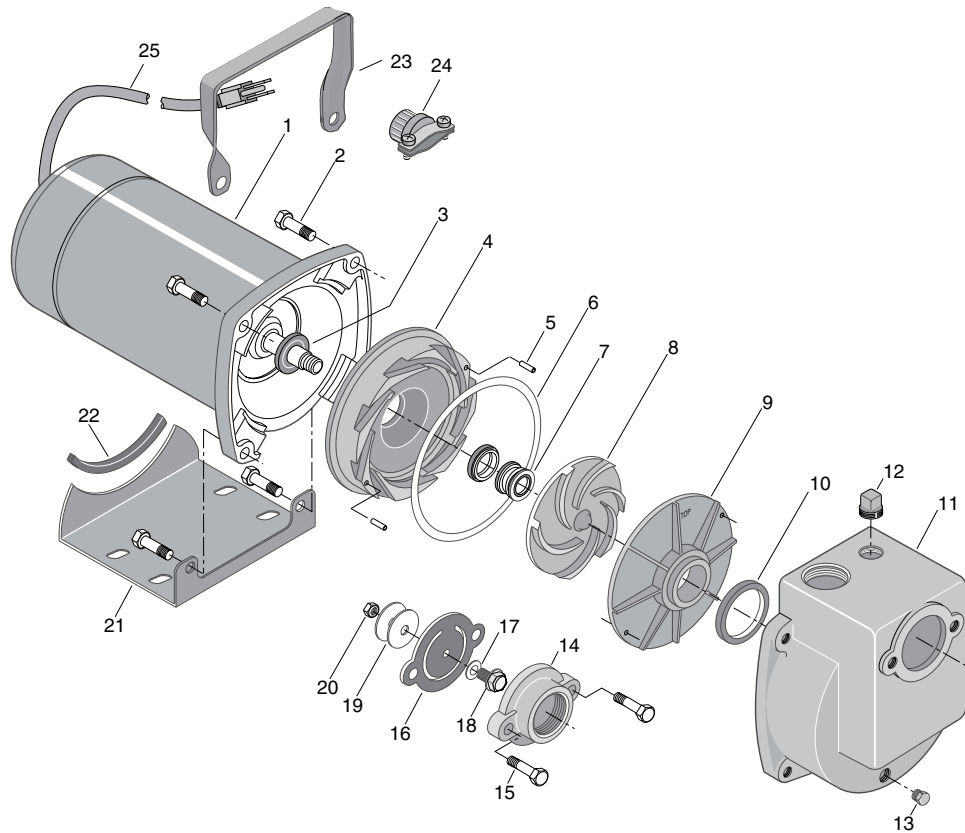


Figura 4

Síntoma	Causa(s) probable(s)	Acción correctiva
No bombea.	La bomba no está debidamente cebada.	Verifique que la unidad de la bomba esté llena de agua. Consulte las instrucciones de cebadura.
	Demasiado poca velocidad.	Verifique la tensión en los bornes del motor y en el contador cuando la bomba esté funcionando. Si es baja, consulte las instrucciones de cableado o consulte con su proveedor de energía eléctrica. Verifique que no haya conexiones flojas.
	Demasiada altura total.	Se necesita una bomba diseñada para servicio de gran altura.
	Demasiada altura de aspiración.	Coloque la bomba más cerca de la fuente de suministro de agua. Verifique que la tubería de aspiración sea lo suficientemente grande.
	Demasiada fuga de aire en la línea de aspiración.	Inspeccione y repare la línea de aspiración.
	El nivel del agua desciende durante el bombeo, dejando la entrada de aspiración al descubierto.	Inspeccione el suministro de agua. Agregue un tubo a la aspiración para mantenerla sumergida.
Capacidad y/o altura (presión) reducida.	Bolsas o fugas de aire en la línea de aspiración.	Inspeccione la tubería de aspiración.
	Impulsor obstruido.	Sacar y limpiar.
	Criba de la válvula de pie demasiado pequeña u obstruida.	Use una válvula de pie más grande, limpie.
	Tubería de aspiración no suficientemente sumergida.	Agregue largos de tubería de aspiración para mantenerla bien por debajo de la superficie del agua.
	Demasiada altura dinámica de aspiración (más de 20 ft.).	Si fue provocada por la fricción en la tubería de aspiración, agrande la tubería y la válvula de pie. De lo contrario, mueva la bomba más cerca del nivel del agua.
	Altura total (presión) mayor que aquella para la cual se diseñó la bomba.	Se necesita una bomba más grande.
	Impulsor demasiado gastado.	Encargue piezas de repuesto usando la lista de piezas de repuesto en este manual.
Problemas mecánicos y ruido.	La tubería de aspiración y/o de descarga no está debidamente apoyada y anclada.	Verifique que toda la tubería esté bien apoyada y anclada para reducir la tensión sobre la unidad de la bomba.
	El motor se calienta y la sobrecarga se inicia.	Compruebe la línea de voltaje en el motor para ajustarlo a la tensión de entrada correcta.



Ref.	Descripción de la pieza	Cant.	No. de Repuesto
1	Motor - 1/2 HP 115V/230V - 60 Hz	1	J218-582A-115-PKG
2	Tornillo de cabeza hexagonal - 3/8 - 16x1-1/2"	4	†
3	Deflector de agua	1	17351-0009
4	Difusor de la placa de estanqueidad	1	C3-120
5	Clavija cilíndrica de 3/32 x 5/16"	2	U30-522SS
6	Empaquetadura	1	N20-35
7	Sello del eje	1	U109-6A
8	Impulsor	1	C5-184P
9	Cubierta del difusor	1	C6-47P
10	Aro del difusor	1	C21-11
11	Unidad de la bomba	1	C76-41
12	Tapón de tubo - 1/2" de cabeza cuadrada	1	U78-59ZPS
13	Tapón de tubo - 1/4" de cabeza hexagonal	1	U78-941ZPV
14	Brida - 1-1/4" NPT	1	PW16-4
15	Tornillo prisionero - 3/8-16 x 1" de cabeza hexagonal	2	U30-74ZP
16	Aleta de la válvula de retención	1	PW22-1
17	Arandela	1	U43-41SS
18	Tornillo prisionero - 1/4-20 x 3/4" de cabeza de arandela hexagonal	1	37006-4652
19	Arandela	2	U43-138ZP
20	Tuerca hexagonal - 1/4-20	1	U36-36ZP
21	Base	1	J4-9
22	Cojinete de caucho	1	C35-5
23	Mango	1	C54-21
24	Reductor de tensión	1	U71-7
25	Cordón	1	U17-402

† Artículo estándar de ferretería - adquirir a nivel local.

This page intentionally left blank

